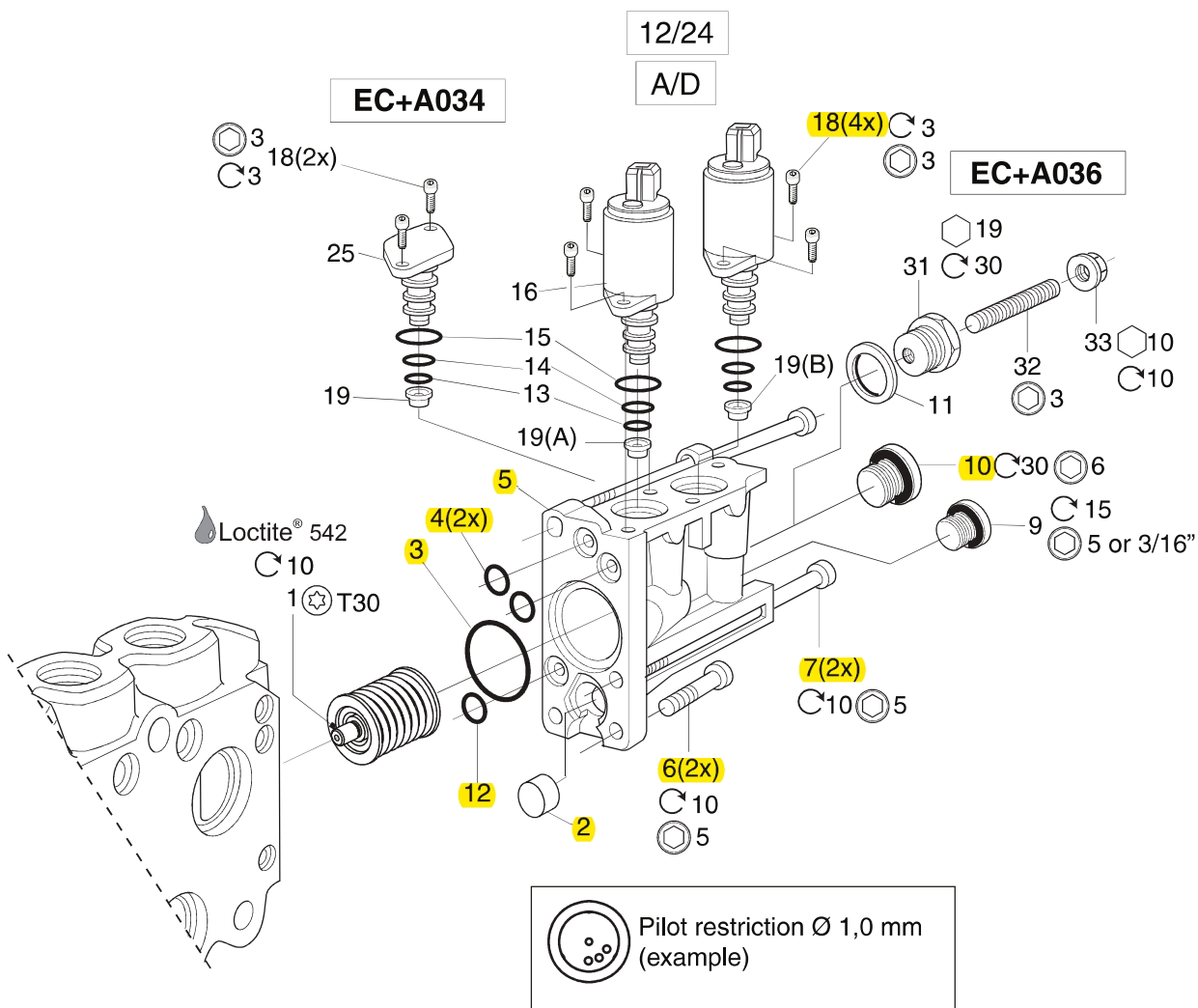


EB, EBH, EBHL, EC, ECH, ECHL, ECP, ECS, ECSP, A, D, 12, 24, A034, A036



| See Customer Specification | | | | |
|--------------------------------|----------|------------|--------------------------------|---|
| Code | Pos | Part | Description | Remarks / Items |
| EC,ECH,EB,EBH,ECP,ECS,ECSP | 50 | 393000K343 | Spring kit, std (5.5-15) bar | 1 |
| ECHL, EBHL | 50 | 393000K342 | Spring kit, Light (5.5-11) bar | 1 |
| EC,ECH,EB,EBH,ECP,ECS,ECSP + G | 50 + 04 | 393000K151 | Cap kit, (BSP) | 2, 3, 4(2x), 5, 6(2x), 7(2x), 10, 12, 18(4x) |
| EC,ECH,EB,EBH,ECP,ECS,ECSP + U | 50 + 04 | 393000K152 | Cap kit, (UNF) | 2, 3, 4(2x), 5, 6(2x), 7(2x), 9, 10, 12, 18(4x) |
| A036 + G | 59 + 04 | 6760781 | Cap kit A036, (BSP) | 2, 3, 4(2x), 5, 6(2x), 7(2x), 9, 11, 12, 18(4x), 31, 32, 33 |
| A036 + U | 59 + 04 | 6763226 | Cap kit A036, (UNF) | |
| A036 | 59 | 393000K845 | Seal kit A036 | 3, 4(2x), 12, 33 |
| EC,ECH,EB,EBH,ECP,ECS,ECSP + G | 50 + 04 | 393000K846 | Seal kit (BSP) | 3, 4(2x), 10, 12 |
| EC,ECH,EB,EBH,ECP,ECS,ECSP + U | 50 + 04 | 393000K871 | Seal kit (UNF) | 3, 4(2x), 9, 10, 12 |
| A034 | 89A/89B | 393000K984 | Blocking plug PVC25 | 25 [13, 14, 15], 18(2x), 19 |
| A036 | 59 | 393000K036 | Spool stroke limiting kit | 11, 31, 32, 33 |
| A023 | 59 | 393000K859 | Spring kit, (8-24) bar | 1 |
| A063 | 59 | 6763031 | Spring kit, (7-26) bar | 1 |
| A064 | 59 | 6760645 | Spring kit, (6.5-20) bar | 1 |
| A107 | 59 | 6760264 | Spring kit, (6.5-17) bar | 1 |
| A259 | 59 | 398000K023 | Spring kit, (6.5-15) bar | 1(Stroke limited spring pack,5,3mm) |
| EC,ECH,EB,EBH,ECP,ECS,ECSP | 50 | - | Plug VST11/4EDCF | 10 |
| EC*, EB*/ A036 + U | 50/59+04 | - | Plug 4HP5ON-S | 9 |
| A036 + G | 59 + 04 | - | Plug VST11/8EDCF | 9 |

| Code | Pos | Part | Description | Remarks / Items |
|---------|-----------------|------------|--|---|
| b)+12+A | 50/59+05+56A/B | 393000M012 | PVC25 solenoid valve, 12 VDC | 16, 18(2x) Man. override, air bleed, AMP |
| b)+24+A | 50/59+05+56A/B | 393000M024 | PVC25 solenoid valve, 24 VDC | 16, 18(2x) Man. override, air bleed, AMP |
| c)+12+D | 50 + 05 + 56A/B | 393000D012 | PVC25 solenoid valve, 12 VDC | 16, 18(2x) No man. overr. no air bleed, Deutsch |
| c)+24+D | 50 + 05 + 56A/B | 393000D024 | PVC25 solenoid valve, 24 VDC | 16, 18(2x) No man. overr. no air bleed, Deutsch |
| c)+12+A | 50 + 05 + 56A/B | 393000N012 | PVC25 solenoid valve, 12 VDC | 16, 18(2x) No man. overr. no air bleed, AMP |
| c)+24+A | 50 + 05 + 56A/B | 393000N024 | PVC25 solenoid valve, 24 VDC | 16, 18(2x) No man. overr. no air bleed, AMP |
| b), c) | 50 | 393000K813 | Seal kit, PVC25 | 13, 14, 15 |
| 2,0 | 55A/B | 6760090 | Pilot orifice ø2.0, marking: 9 spots | 19(5x), (earlier marked black) |
| 1,5 | 55A/B | 6760089 | Pilot orifice ø1.5, marking: 8 spots | 19(5x), (earlier marked blue) |
| 1,4 | 55A/B | 6760088 | Pilot orifice ø1.4, marking: 7 spots | 19(5x), (earlier marked green/white) |
| 1,3 | 55A/B | 6760087 | Pilot orifice ø1.3, marking: 6 spots | 19(5x), (earlier marked orange) |
| 1,2 | 55A/B | 6760086 | Pilot orifice ø1.2, marking: 5 spots | 19(5x), (earlier marked yellow) |
| 1,1 | 55A/B | 6760085 | Pilot orifice ø1.1, marking: 4 spots | 19(5x), (earlier marked red) |
| 1,0 | 55A/B | 6760084 | Pilot orifice ø1.0, marking: 3 spots | 19(5x), (earlier marked green) |
| 0,9 | 55A/B | 6760083 | Pilot orifice ø0.9, marking: 10 spots | 19(5x), (earlier marked red/white) |
| 0,8 | 55A/B | 6760082 | Pilot orifice ø0.8, marking: 2 spots | 19(5x), (earlier marked white) |
| 0,7 | 55A/B | 6760081 | Pilot orifice ø0.7, marking: 12 spots | 19(5x), (earlier marked black/red) |
| 0,6 | 55A/B | 6760080 | Pilot orifice ø0.6, marking: 1 spot | 19(5x), (earlier marked brown) |
| 0,45 | 55A/B | 6760079 | Pilot orifice ø0.45, marking: 11 spots | 19(5x), (earlier marked blue/white) |

b) EC, ECP, ECH/A096, ECHL/A096;

c) ECH, ECHL, ECS, ECSP